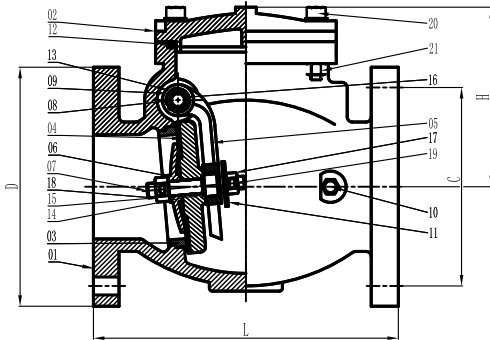
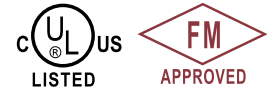


Flanged Resilient Swing Check Valve 300PSI 350PSI (JKDCV-F300/JKDCV-350F)



MATERIAL SPECIFICATION

PART NO.	Description	Material Specification	Options
1	Body	Ductile Iron ASTM A536	
2	Bonnet	Ductile Iron ASTM A536	
3	Seat Ring	ASTM B148 C95400	
4	Disc	EPDM ASTM D2000 +DI ASTM A536	
5	Rocker Arm	Ductile Iron ASTM A536	
6	Baffle Plate	ASTM B148 C95400	
7	Middle Stem	Stainless Steel 304 ASTM A276	
8	Stem	Stainless Steel 304 ASTM A276	
9	Bracket Screw	Stainless Steel 304 ASTM A276	
10	Plug	ASTM B148 C95400	
11	Gasket	Stainless Steel 304 ASTM A276	
12	O-Ring	EPDM ASTM D2000	
13	O-Ring	EPDM ASTM D2000	
14	O-Ring	EPDM ASTM D2000	
15	O-Ring	EPDM ASTM D2000	
16	Bronze Bush	Power Metallurgy	
17	Nut	Stainless Steel 304 ASTM A276	
18	Nut	Stainless Steel 304 ASTM A276	
19	Cotter Pin	Stainless Steel 304 ASTM A276	
20	Bolt	Stainless Steel 304 ASTM A276	
21	Nut	Stainless Steel 304	

Note:For special material request other than standard specification,please indicate clearly on the inquiry or order list.

Item No.	DN	Dimensions(Inch)		
		L	D	H
JKDCV-F30002	2"	8.000	6.000	5.591
JKDCV-F30025	2.5"	8.504	7.000	5.827
JKDCV-F30003	3"	9.488	7.500	6.437
JKDCV-F30004	4"	11.496	9.000	6.772
JKDCV-F30005	5"	13.000	10.000	9.331
JKDCV-F30006	6"	14.016	11.000	9.173
JKDCV-F30008	8"	19.488	13.500	11.850
JKDCV-F30010	10"	24.488	16.000	13.700
JKDCV-F30012	12"	27.480	19.000	16.496

- Connection Ends: Flange to ASME B16.1 CL 125
- Working Pressure: 300PSI and 350PSI
- Temperature Range: 32 -176
- Coating: Fusion Bonded Epoxy Coating in accordance with ANSI/AWWA C550